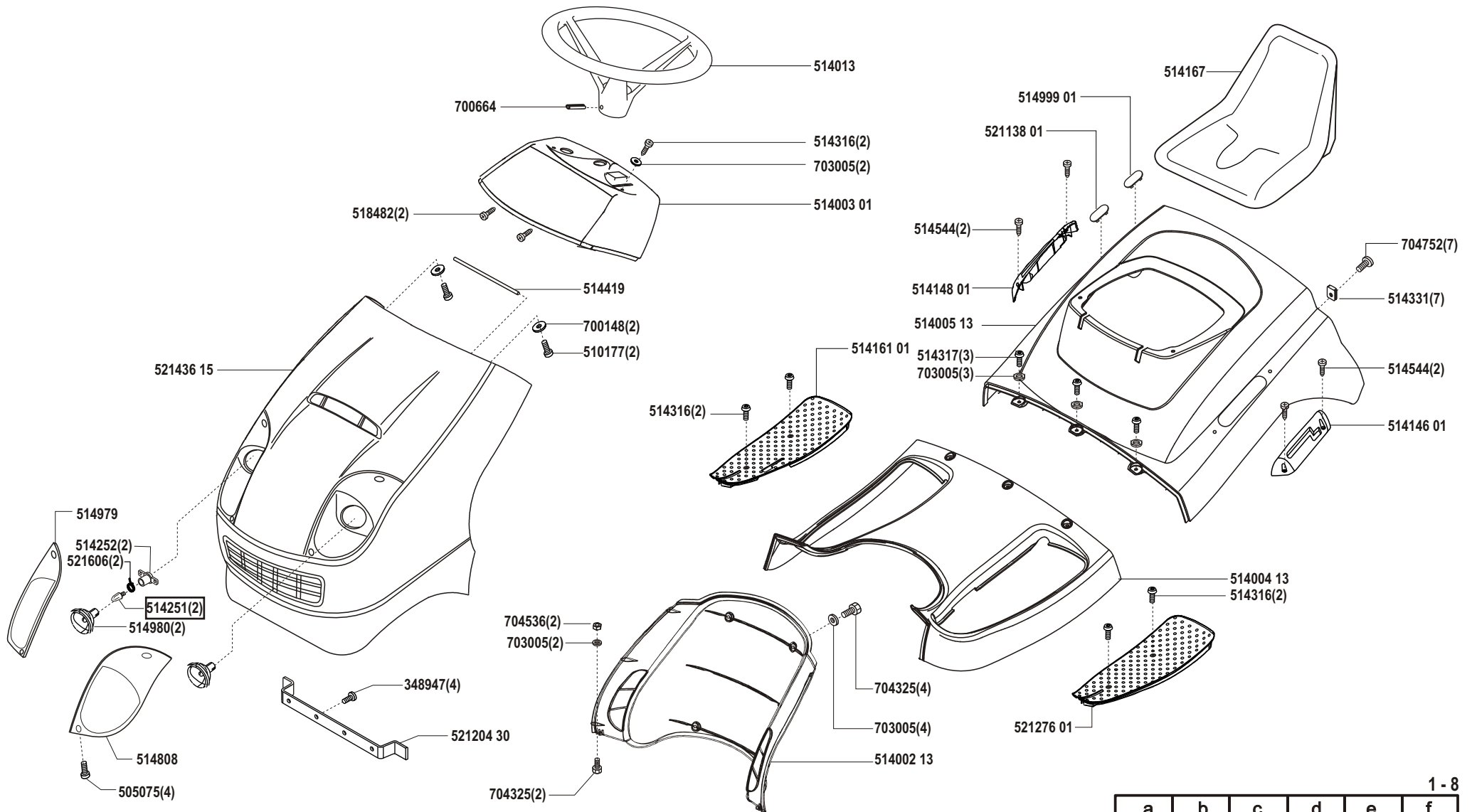


T 13 - 85

Art.-Nr.: 118055

EuroCUT

2000



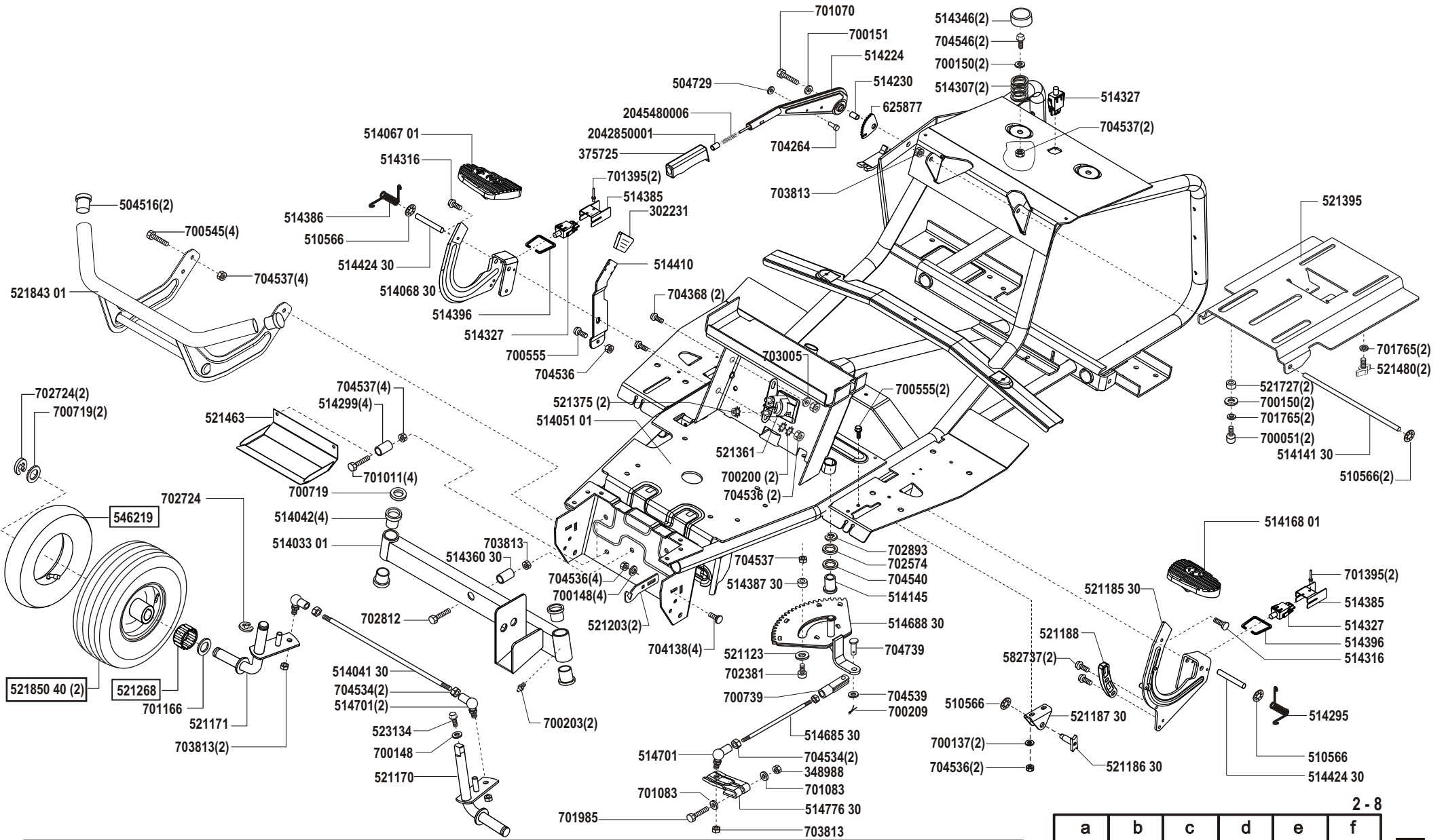
1 - 8					
a	b	c	d	e	f
03/00	04/00	01/01	02/03		

T 13 - 85

Art.-Nr.: 118055

EuroCUT

2000



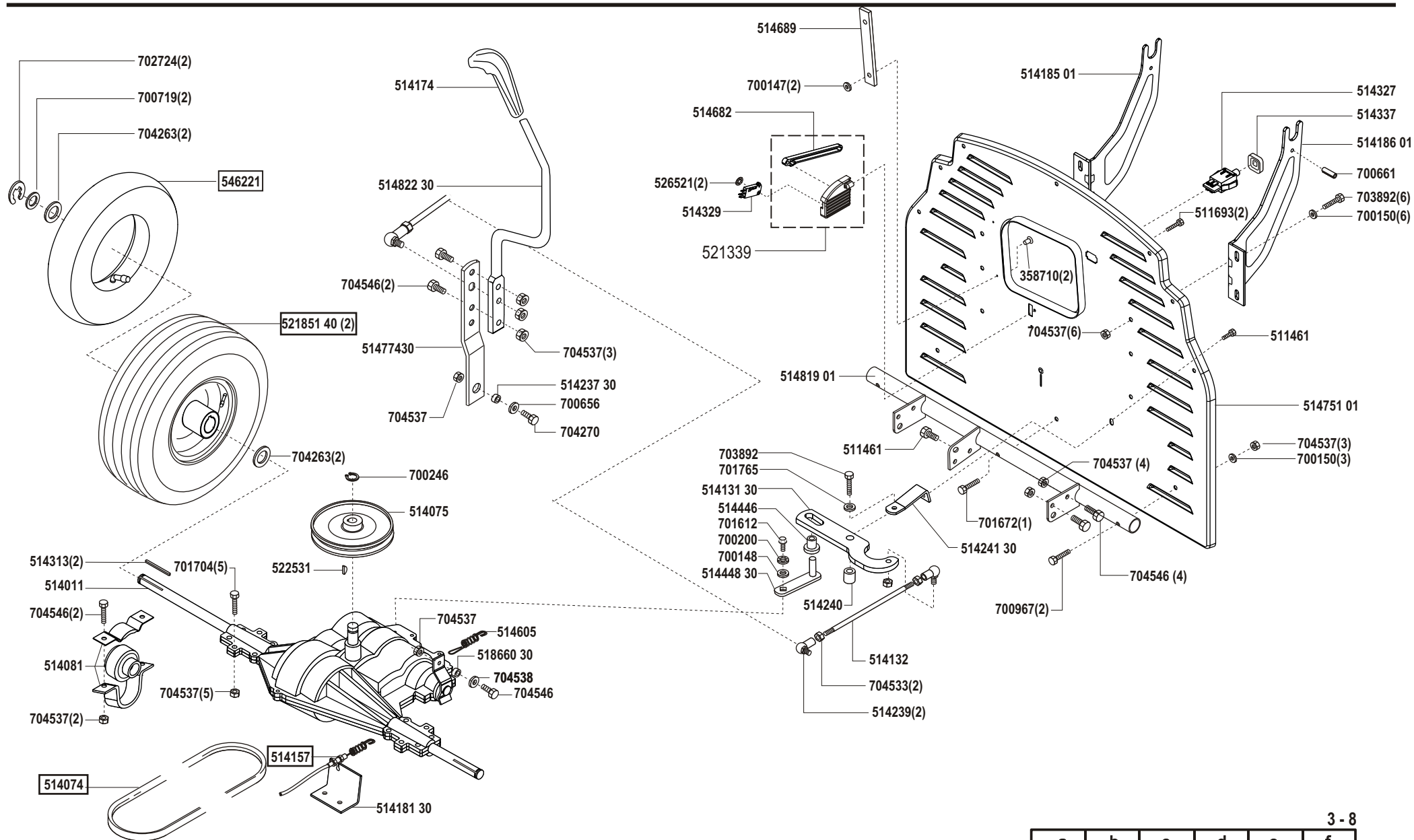
a	b	c	d	e	f
02/00	04/00	02/03	04/03		

T 13 - 85

Art.-Nr.: 118055

EuroCUT

2000



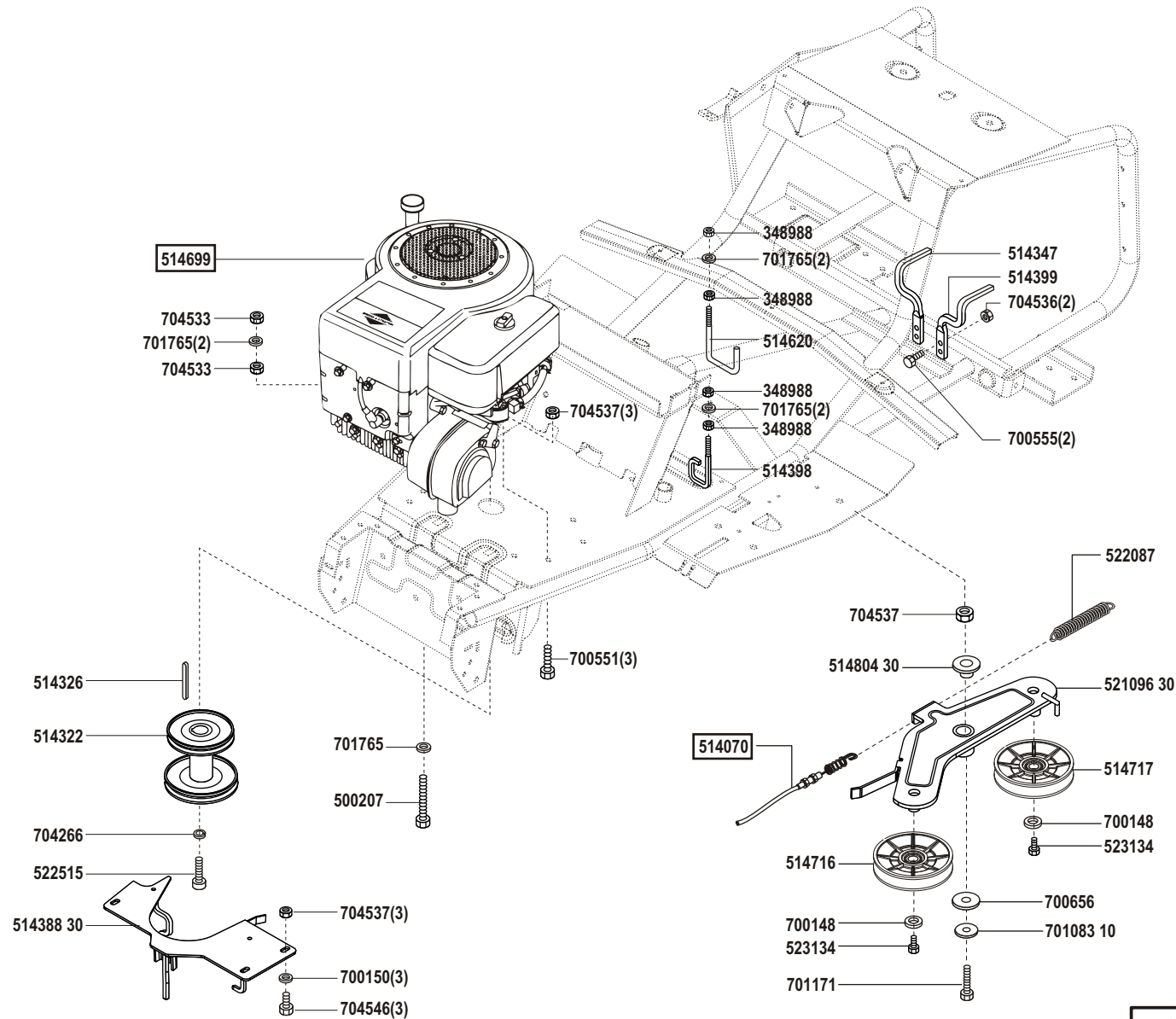
a	b	c	d	e	f
02/00	04/00	01/01	02/03	04/03	

T 13 - 85

Art.-Nr.: 118055

EuroCUT

2000



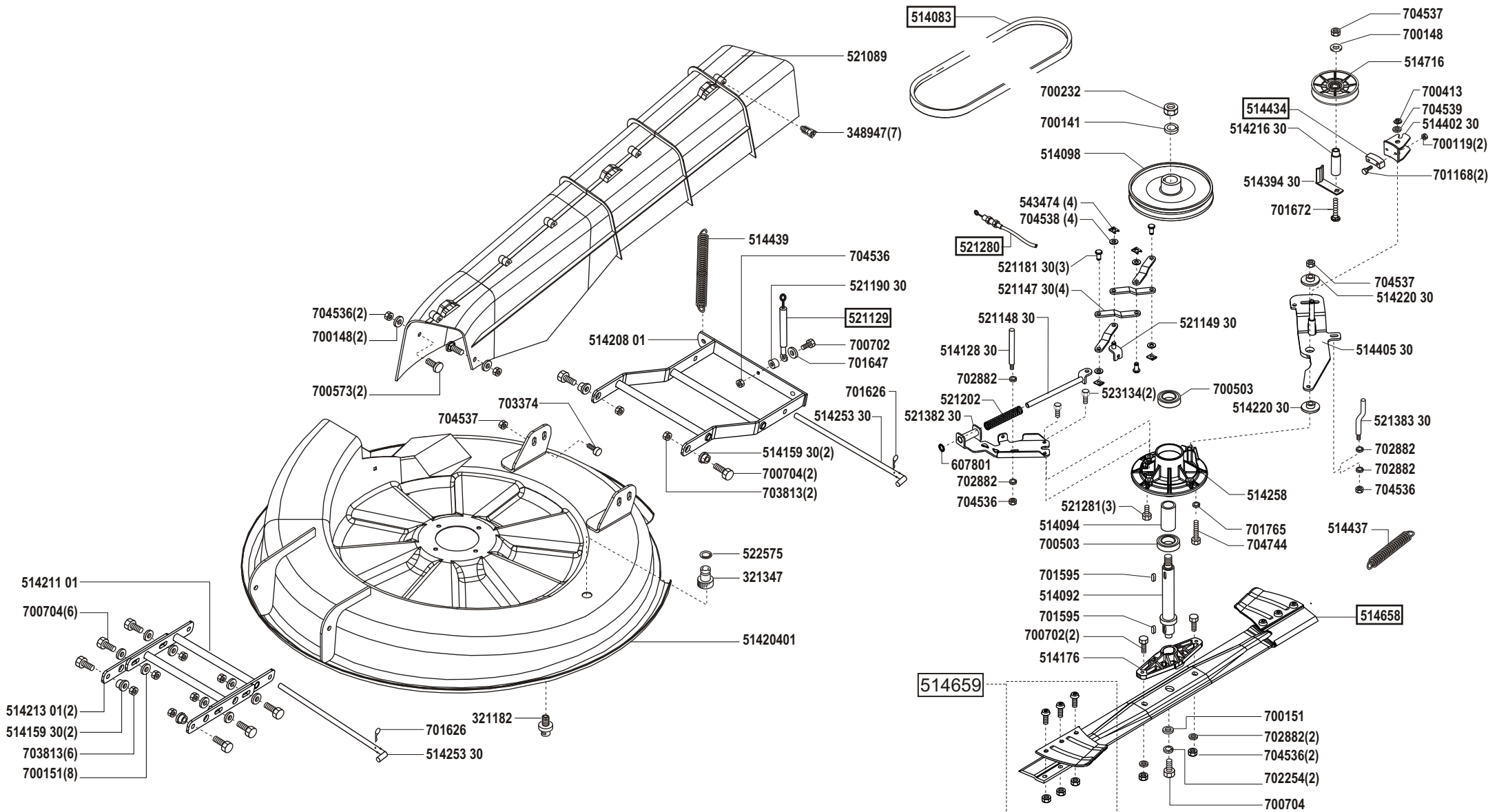
a	b	c	d	e	f
02/00	01/01	02/03			

T 13 - 85

Art.-Nr.: 118055

EuroCUT

2000



5 - 8

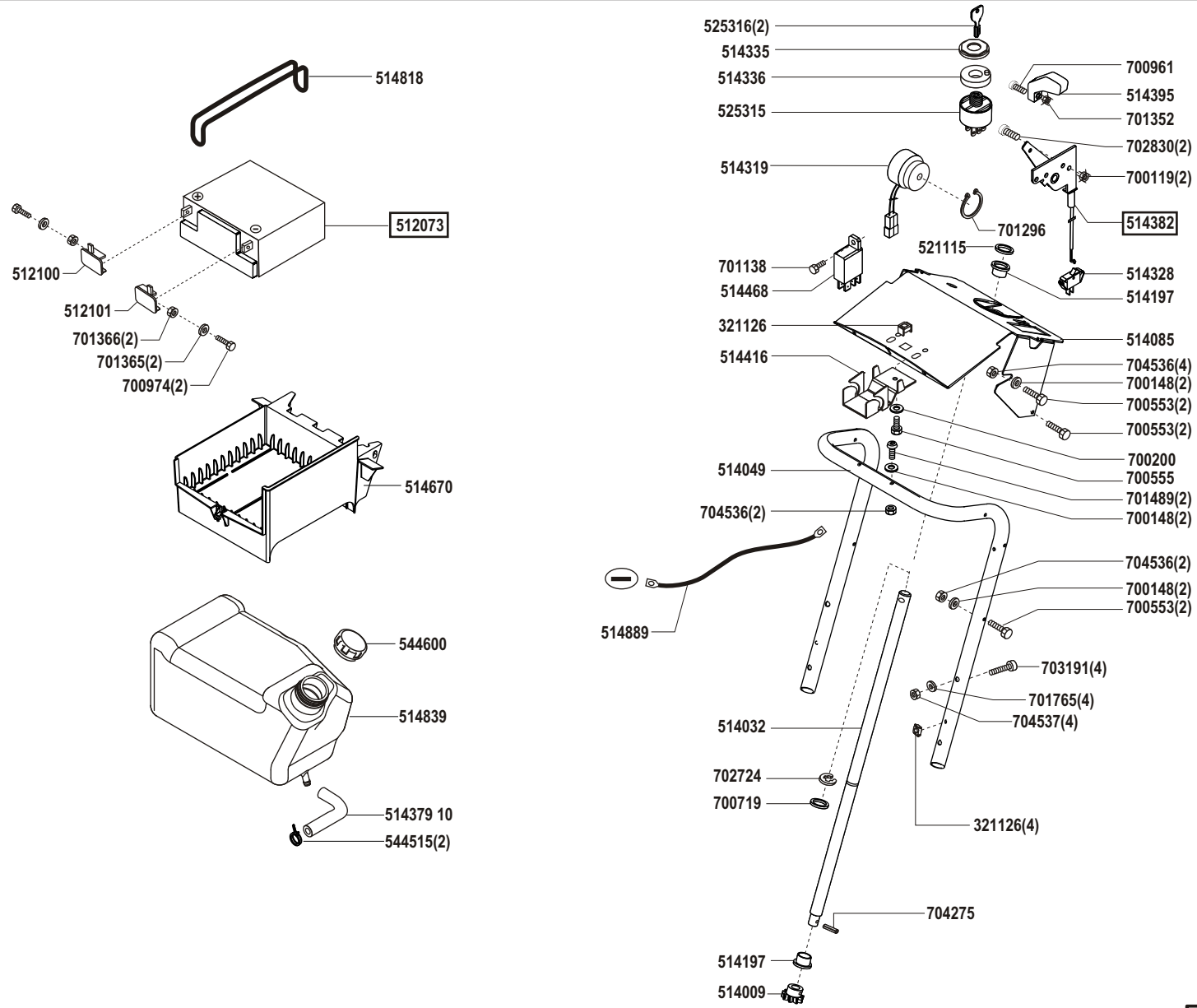
a	b	c	d	e	f
02/00	04/00	01/01	02/03		

T 13 - 85

Art.-Nr.: 118055

EuroCUT

2000



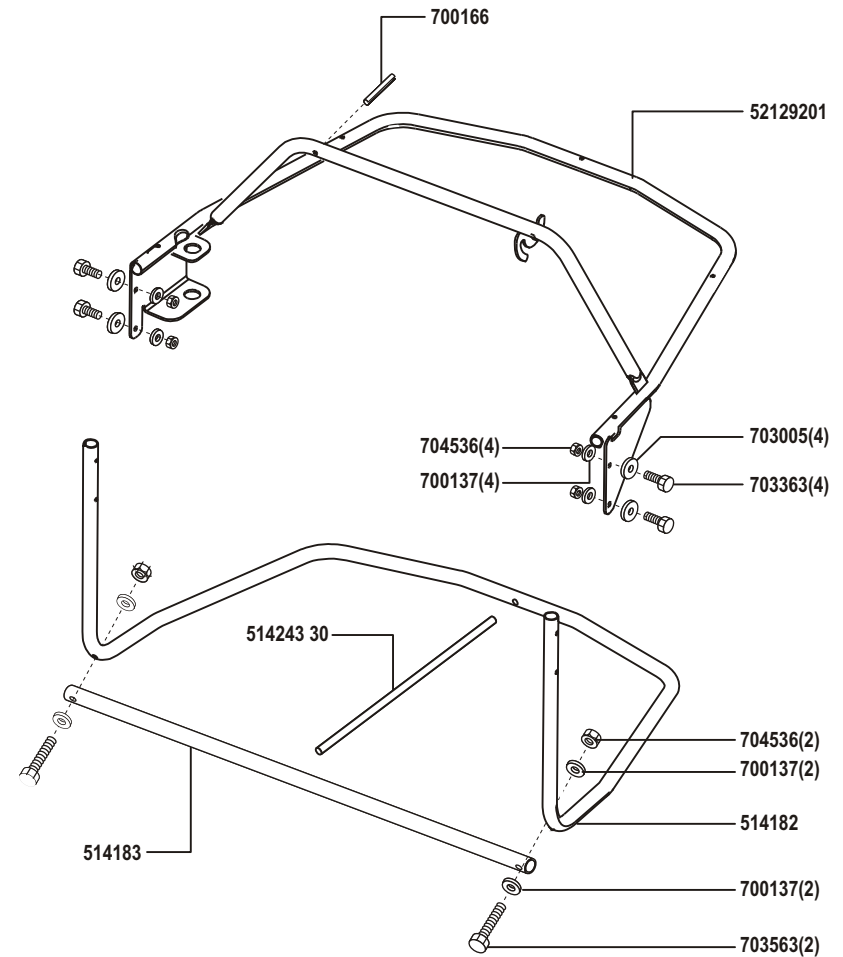
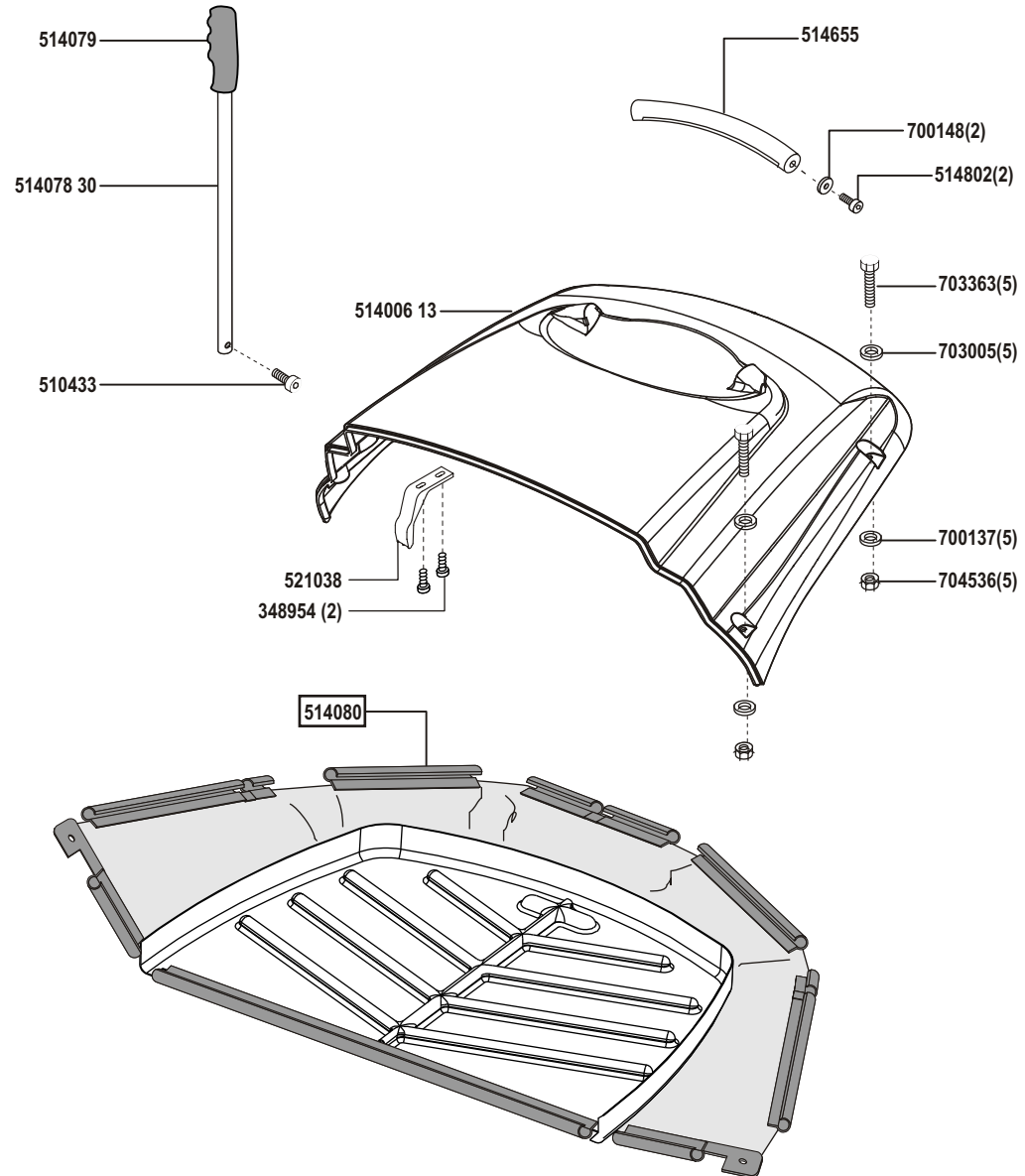
a	b	c	d	e	f
02/00	01/01	02/03			

T 13 - 85

Art.-Nr.: 118055

EuroCUT

2000



7 - 8

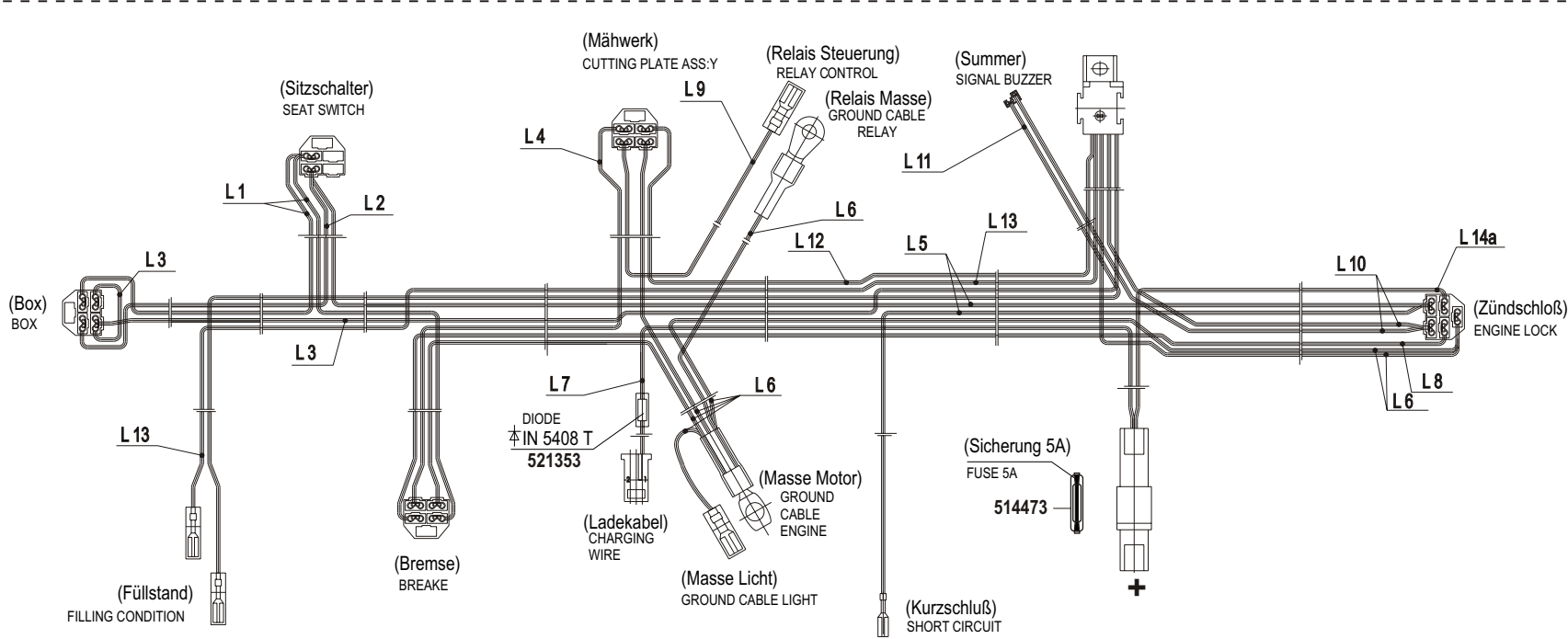
a	b	c	d	e	f
04/00	02/03				

T 13 - 85

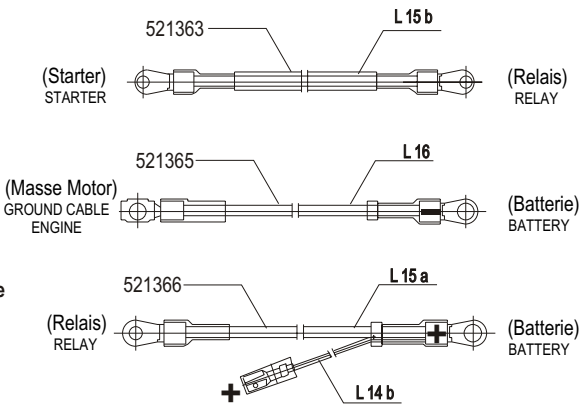
Art.-Nr.: 118055

EuroCUT

2000

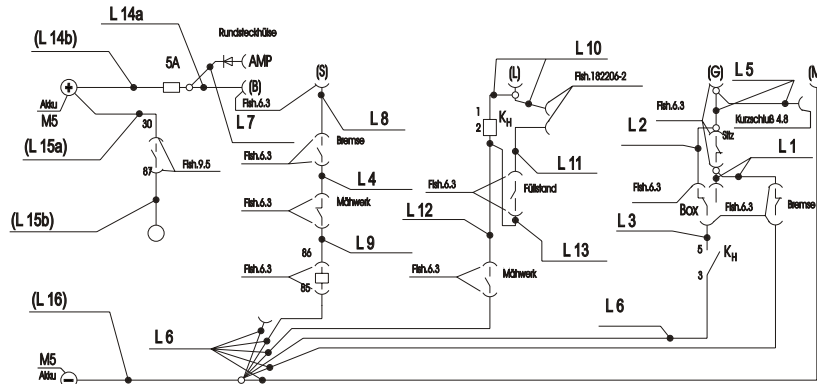


- L 1 = rosa pink
- L 2 = grau grey
- L 3 = weiß white
- L 4 = braun brown
- L 5 = grün green
- L 6 = schwarz black
- L 7 = rot red
- L 8 = violett violet
- L 9 = orange orange
- L 10 = gelb yellow
- L 11 = blau blue
- L 12 = rot/weiß red/white
- L 13 = weiß/blau white/blue
- L 14 a = rot red
- (L 14 b) = rot red
- (L 15 a) = rot red
- (L 15 b) = rot red
- (L 16) = blau blue

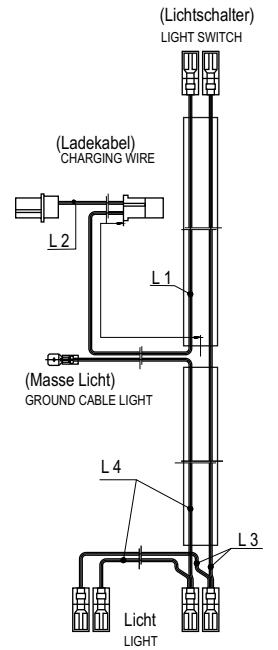


Schaltplan Traktor E-Start

CONNECTION DIAGRAM E-STARTER

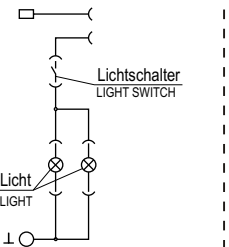


521362 514246



Schaltplan Licht

CONNECTION DIAGRAM LIGHT



- L 1 = weiß white
- L 2 = rot red
- L 3 = braun brown
- L 4 = schwarz black

a	b	c	d	e	f
01/01	02/03				